




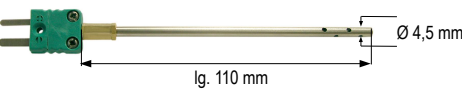

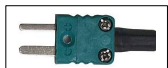





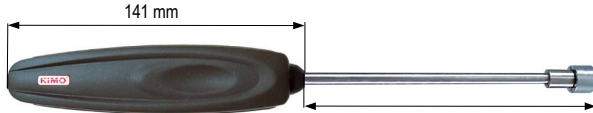
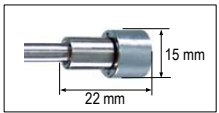
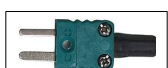


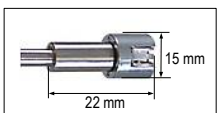


Temperature probes
Thermocouple K and T
for Class 100 – 200 – 300 portable instruments

Thermocouple K

General use	Measuring range	t ₆₃	Ref.
<p>Thermocouple K Class 1 (IEC 584-3 guideline). Stainless steel sheath. ABS handle (from -40 to +85°C).</p>  <p>Compensated miniature male plug</p>  <p>Retractable cable lg. 450 mm, up to 2,4 m.</p>  <p>141 mm</p> <p>Ø 4,5 mm</p> 	<p>from -50 to +250°C</p>	<p>12 sec.</p>	<p>SKG 150 SKG 250</p>
<p>Thermocouple K Class 1 (IEC 584-3 guideline). Stainless steel sheath with ambient end. Without handle.</p>  <p>Compensated miniature male plug</p>  <p>lg. 110 mm</p> <p>Ø 4,5 mm</p>  <p>10 mm</p>	<p>from -40 to +80°C</p>	<p>10 sec.</p>	<p>SKA 110</p>
<p>Thermocouple K Class 1 (IEC 584-3 guideline). Stainless steel sheath with ambient end. ABS handle (from -40 to +85°C).</p>  <p>Compensated miniature male plug</p>  <p>Retractable cable lg. 450 mm, up to 2,4 m.</p>  <p>141 mm</p> <p>lg. 150 mm</p> <p>Ø 4,5 mm</p>  <p>10 mm</p>	<p>from -50 to +250°C</p>	<p>10 sec.</p>	<p>SKA 150</p>
<p>Thermocouple K Class 1 (IEC 584-3 guideline). Stainless steel sheath with circular end. ABS handle (from -40 to +85°C).</p>  <p>Compensated miniature male plug</p>  <p>Retractable cable lg. 450 mm, up to 2,4 m.</p>  <p>141 mm</p> <p>lg. 150 mm</p>  <p>15 mm</p> <p>22 mm</p>	<p>from -50 to +250°C</p>	<p>25 sec.</p>	<p>SKC 150</p>
<p>Thermocouple K Class 1 (IEC 584-3 guideline). Stainless steel sheath. ABS handle (from -40 to +85°C).</p>  <p>Compensated miniature male plug</p>  <p>Retractable cable lg. 450 mm, up to 2,4 m.</p>  <p>141 mm</p> <p>lg. 150 mm</p>  <p>15 mm</p> <p>22 mm</p>	<p>from -50 to +250°C</p>	<p>4 sec.</p>	<p>SKCL 150</p>
<p>Contact with lamella</p>	<p>Measuring range</p>	<p>t₆₃</p>	<p>Ref.</p>

■ Angled contact with lamella	Measuring range	t ₆₃	Ref.
-------------------------------	-----------------	-----------------	------

Thermocouple K
Class 1 (IEC 584-3 guideline).
 Stainless steel sheath angled at 90°.
 ABS handle (from -40 to +85°C).

from -50 to +250°C

4
sec.

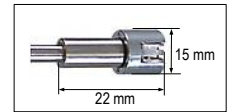
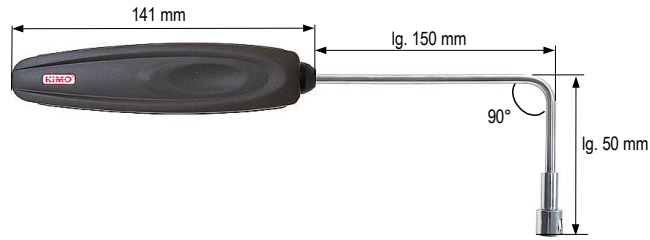
SKCLC 150



Compensated miniature male plug



Retractable cable lg. 450 mm, up to 2,4 m.



■ Penetration	Measuring range	t ₆₃	Ref.
---------------	-----------------	-----------------	------

Thermocouple K
Class 1 (IEC 584-3 guideline).
 Stainless steel sheath with pointer tip.
 ABS handle (from -40 to +85°C).

from -50 to +250°C

10
sec.

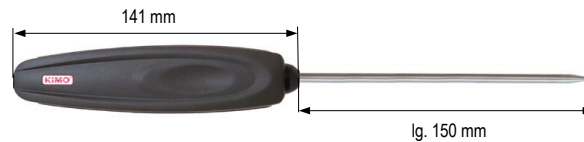
SKP 150



Compensated miniature male plug



Retractable cable lg. 450 mm, up to 2,4 m.



■ With wire	Measuring range	t ₆₃	Ref.
-------------	-----------------	-----------------	------

Thermocouple K
Class 1 (IEC 584-3 guideline).
 Visible welding.

from -50 to +250°C

5
sec.

FK-PFA-05-MM
 FK-PFA-1-MM
 FK-PFA-2-MM
 FK-PFA-5-MM
 FK-PFA-10-MM
 FK-PFA-25-MM



Compensated miniature male plug



Teflon cable 1,6 x 2,2 mm



Cable length

FK-PFA-05-MM : lg. 0,5 m
 FK-PFA-1-MM : lg. 1 m
 FK-PFA-2-MM : lg. 2 mm
 FK-PFA-5-MM : lg. 5 m
 FK-PFA-10-MM : lg. 10 m
 FK-PFA-25-MM : lg. 25 m



■ Velcro	Measuring range	t ₆₃	Ref.
----------	-----------------	-----------------	------

Thermocouple K
Class 1 (IEC 584-3 guideline).
 Velcro fixing for pipes Ø 100 mm max.

from -20 to +90°C

10
sec.

SKV 150
 SKV 300
 SKV 500



Compensated miniature male plug



PVC cable 2 m



Cable length

SKV150 : lg. 1,5 m.
 SKV300 : lg. 3 m.
 SKV500 : lg. 5 m.

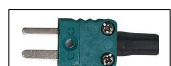
■ Contact with lamella	Measuring range	t ₆₃	Ref.
------------------------	-----------------	-----------------	------

Thermocouple K
Class 1 (IEC 584-3 guideline).
 Stainless steel sheath. ABS handle (from -40 to +85°C).

from -50 to +250°C

4
sec.

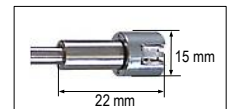
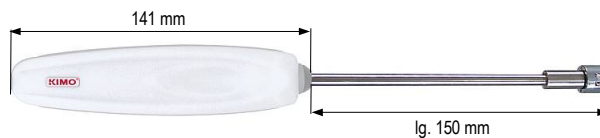
SKCL 150 A



Compensated miniature male plug



PVC cable 2 m



■ Angled contact with lamella	Measuring range	t ₆₃	Ref.
-------------------------------	-----------------	-----------------	------

Thermocouple K
Class 1 (IEC 584-3 guideline).
 Stainless steel sheath angled
 ABS handle (from -40 to +85°C).

from -50 to +250°C

4
sec.

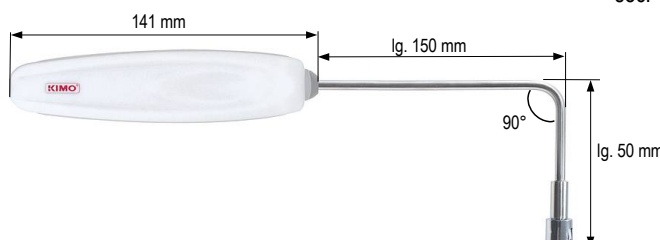
SKCLC 150 A



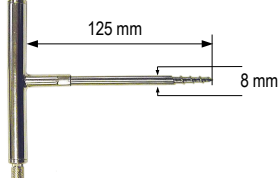
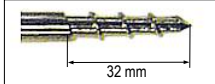




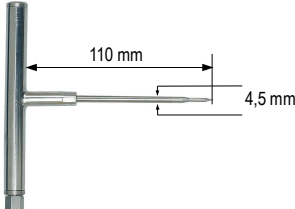
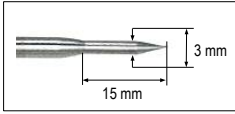
Compensated miniature male plug



PVC cable 2 m









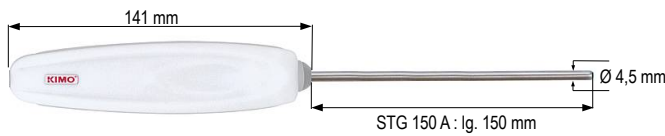

■ Corkscrew		Measuring range	t_{63}	Ref.
Thermocouple K Class 1 (IEC 584-3 guideline). Stainless steel sheath and handle. Corkscrew tip. T-shape handle.		from -50 to +250°C	10 sec.	SKT 125
				
Compensated miniature male plug	Shielded Teflon cable 2 m			



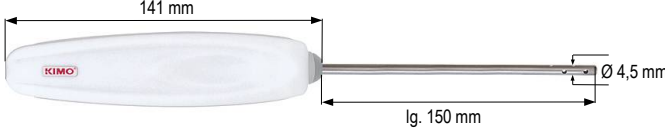

■ Food penetration T		Measuring range	t_{63}	Ref.
Thermocouple K Class 1 (IEC 584-3 guideline). Stainless steel sheath and handle. With food penetration tip. T-shape handle.		from -50 to +250°C	8 sec.	SKT 125 A
				
Compensated miniature male plug	Shielded Teflon cable 2 m			



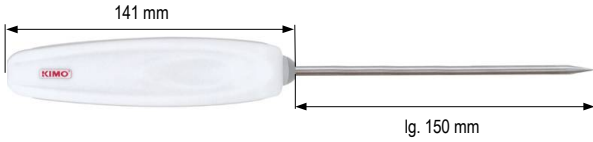
■ Thermocouple T



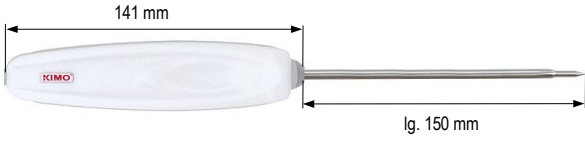
■ General use		Measuring range	t_{63}	Ref.
Thermocouple T Class 1 (IEC 584-3 guideline). Stainless steel sheath. ABS handle (from -40 to +85°C).		from -50 to +250°C	12 sec.	STG 250
				
Compensated miniature male plug	Retractable cable lg. 450 mm, up to 2,4 m.	STG 250 : lg. 250 mm		



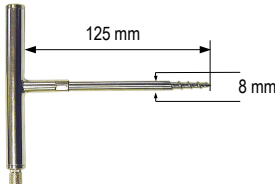
■ With wire		Measuring range	t_{63}	Ref.
Thermocouple T Class 1 (IEC 584-3 guideline). Visible welding.		from -50 to +250°C	5 sec.	FT-PFA-05-MM FT-PFA-1-MM FT-PFA-2-MM FT-PFA-5-MM FT-PFA-10-MM FT-PFA-25-MM
				
Compensated miniature male plug	Teflon cable insulated. 1,6 x 2,2 mm	Cable length FT-PFA-05-MM : lg. 0,5 m FT-PFA-1-MM : lg. 1 m FT-PFA-2-MM : lg. 2 mm FT-PFA-5-MM : lg. 5 m FT-PFA-10-MM : lg. 10 m FT-PFA-25-MM : lg. 25 m		



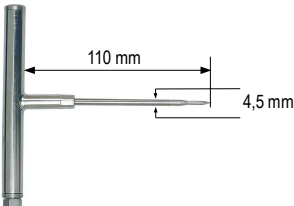
■ General use		Measuring range	t_{63}	Ref.
Thermocouple T Class 1 (IEC 584-3 guideline). Stainless steel sheath. ABS handle (from -40 to +85°C).		from -50 to +250°C	12 sec.	STG 150 A STG 250 A
				
Compensated miniature male plug	PVC cable 2 m	STG 150 A : lg. 150 mm STG 250 A : lg. 250 mm		

■ Ambient		Measuring range	t_{63}	Ref.
Thermocouple T Class 1 (IEC 584-3 guideline). Stainless steel sheath with ambient end. ABS handle (from -40 to +85°C).		from -50 to +250°C	10 sec.	STA 150 A
				
Compensated miniature male plug	PVC cable 2 m	lg. 150 mm		


■ Penetration	Measuring range	t_{63}	Ref.
Thermocouple T Class 1 (IEC 584-3 guideline). Stainless steel sheath with pointer tip. ABS handle (from -40 to +85°C).   	from -50 to +250°C	10 sec.	STP 150 A


■ Food penetration	Measuring range	t_{63}	Ref.
Thermocouple T Class 1 (IEC 584-3 guideline). Stainless steel sheath. Food penetration tip. ABS handle (from -40 to +85°C).   	from -50 to +250°C	8 sec.	STPA 150 A

■ Corkscrew	Measuring range	t_{63}	Ref.
Thermocouple T Class 1 (IEC 584-3 guideline). Stainless steel sheath and handle. Corkscrew tip. T-shape handle.   	from -50 to +250°C	10 sec.	STT 125

■ Food penetration T	Measuring range	t_{63}	Ref.
Thermocouple T Class 1 (IEC 584-3 guideline). Stainless steel sheath and handle. Food penetration tip. T-shape handle.   	from -50 to +250°C	8 sec.	STT 125 A

■ Extensions

■ For Thermocouple K	Ref.
Extension cable for thermocouple K Class 1 with compensated miniature plug and socket. 	CD-K-PB-1.5-CMM-CMF : Length 1,5 m CD-K-PB-3-CMM-CMF : Length 3 m CD-K-PB-5-CMM-CMF : Length 5 m CD-K-PB-1.5-CMM-CMF CD-K-PB-3-CMM-CMF CD-K-PB-5-CMM-CMF

■ For Thermocouple T	Ref.
Extension cable for thermocouple T Class 1 with compensated miniature plug and socket. 	CD-T-PB-1.5-CMM-CMF : Length 1,5 m CD-T-PB-3-CMM-CMF : Length 3 m CD-T-PB-5-CMM-CMF : Length 5 m CD-T-PB-1.5-CMM-CMF CD-T-PB-3-CMM-CMF CD-T-PB-5-CMM-CMF

www.kimo.fr

Distributed by :

EXPORT DEPARTMENT
 Tel : + 33. 1. 60. 06. 69. 25 - Fax : + 33. 1. 60. 06. 69. 29
 e-mail : export@kimo.fr

