

+550°C

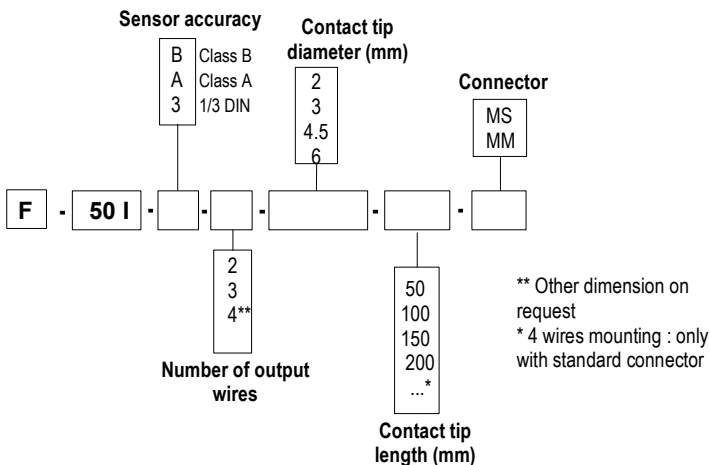


*Temperature probe
at resistive element with collapsible
contact tip and output on
Din connector*

F 50 I – FD 50 I

Part numbers

• F 50 I

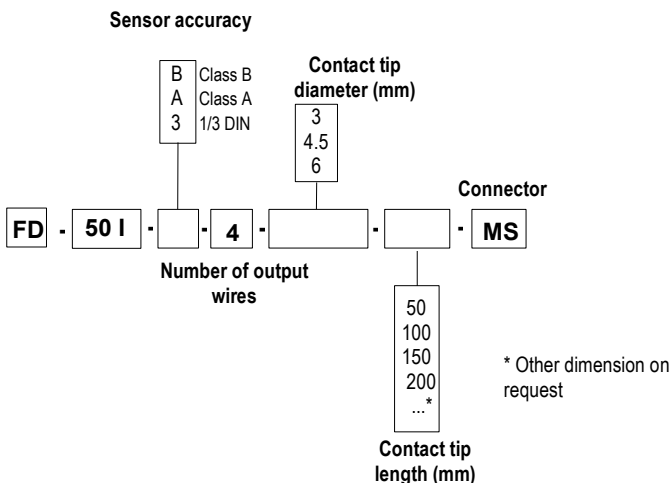


Example : F50I-B-2-3-500-MM

Model : Temperature sensor class B, 2 wires, contact tip of 3 mm of diameter and 500 mm of length with connector type MM.

Measuring range : from -50 to + 550 °C

• FD 50 I



Example : FD50I-B-4-3-500-MS

Model : Temperature sensor class B, 4 wires, contact tip of 3mm of diameter and 500 mm of length with connector type MS.

Measuring range : from -50 to + 550 °C

Probe features

- Temperature sensor mounted on male connector
- Measuring range from **-50°C to +550°C**
- Collapsible contact tip

Technical features

Operating temperature.....from -50°C to +550°C

Accuracy.....See "Tolerances" table

Sensor type.....**PT100 or PT1000** : Class B, Class A, 1/3 DIN as per DIN IEC751

Storage temperature.....from -20°C to +80°C

Contact tip.....lined collapsible (semi-rigid)

Stainless steel 316 L without welding



Non-collapsible zone on 25 mm at the end of the contact tip

Mounting.....2, 3 or 4 wires for F 50 I

4 wires for FD 50 I



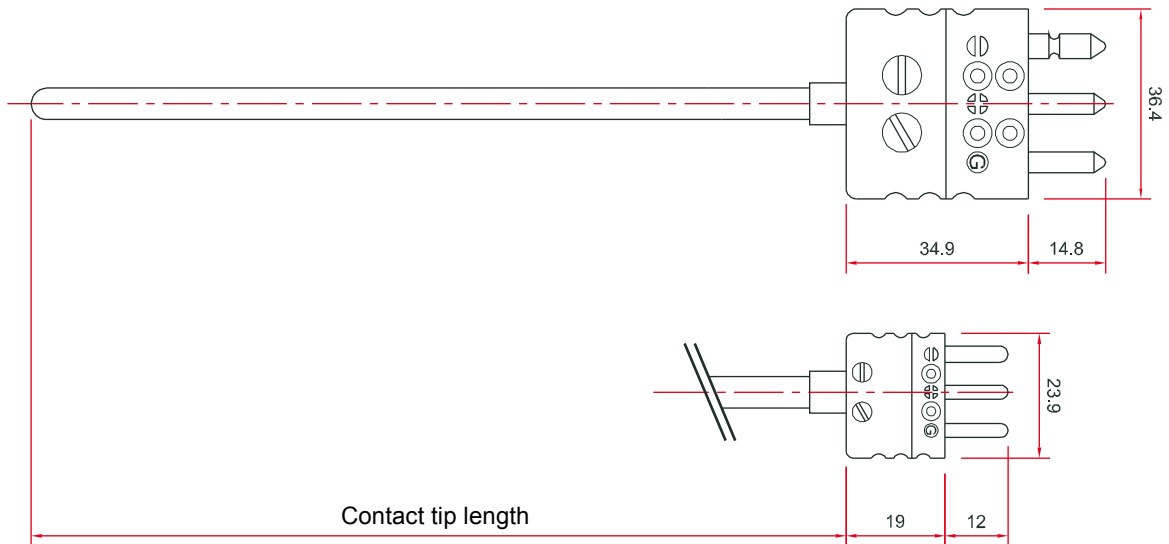
4 wires mounting only with a standard connector

Connector.....miniature 2 and 3 copper flat pins

standard 2, 3 and 4 copper round pins

Temperature max. : 200 °C

■ Dimensions



■ Tolerances* of Pt100 and Pt1000 probes

As per IEC 751 (1993), BS 1904 (1984) and DIN 43760 (1980) norms.

Temp °C	Tolerances					
	Class B		Class A		1/3 DIN	
	± °C	± Ohms	± °C	± Ohms	± °C	± Ohms
-100	0.8	0.32	0.35	0.14	0.27	0.11
-50	0.55	0.22	0.25	0.1	0.19	0.08
0	0.3	0.12	0.15	0.06	0.1	0.04
100	0.8	0.3	0.35	0.13	0.27	0.1
200	1.3	0.48	0.55	0.2	0.44	0.16
300	1.8	0.64	0.75	0.27	0.6	0.21
400	2.3	0.79	0.95	0.33	0.77	0.26

Resistance values for Pt1000 (Ω) must be multiplied by 10 for the same corresponding temperature value (°C). For example: at 0°C for Class B Pt1000 ± 0,3°C → ± 1,2 Ω

* Performed in laboratory conditions, the above accuracies mentioned in this document will be guaranteed, provided that you use the calibration compensation data or identical calibration conditions.

■ Accessories (See data sheet)

- Transmitter output 4-20 mA or 0/10V
- Wall mounting support
- Stainless steel mounting brackets
- 1/4, 1/2 gas screw nut
- Sliding connection
- Teflon or stainless steel ferrule for compression fitting



- Sleeve to weld for food industry (with 1/2" G female)
- Stainless steel junction fitting
- 1/2 gas or NPT thread cuff
- Thermo-conducting silicone grease
- Calibration certificate
- Thermowell



www.kimo.fr

EXPORT DEPARTMENT

Tel : + 33. 1. 60. 06. 69. 25 - Fax : + 33. 1. 60. 06. 69. 29

e-mail : export@kimo.fr



Distributed by :