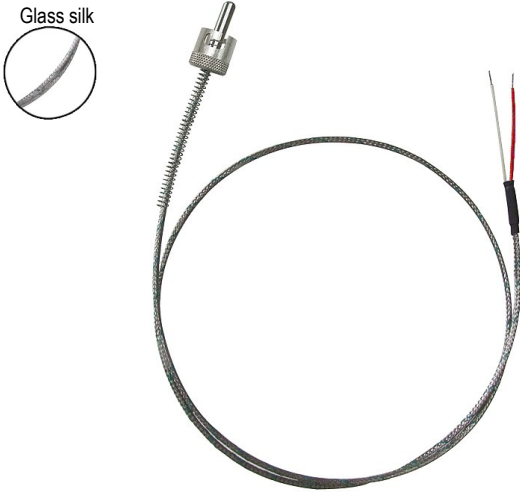


Glass silk



Wire temperature probe with resistive element and bayonet

SFBA 50 / SFBAD 50

Probe features

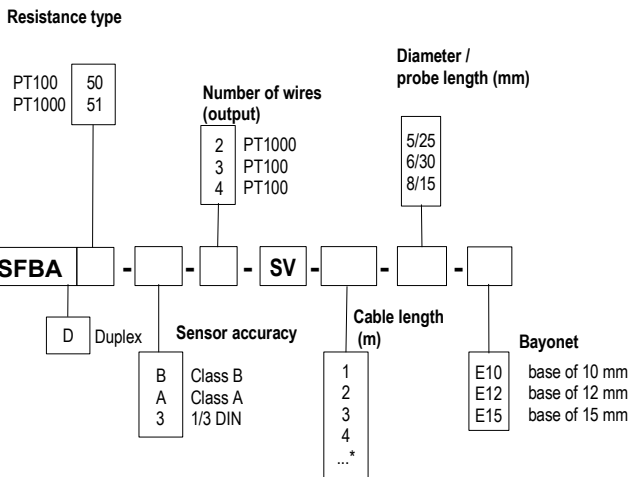
- Temperature probe mounted on conductive cable, with stainless steel contact tip and bayonet probe.
- Measuring ranges (according to cable) :
from **-50°C to +400°C (PT100 and PT1000)**.
- For other resistances (PT25, PT50, PT500, PT200 or NI), please contact us

Technical features

Working temperature.....	from -50°C to +400°C
Accuracy *.....	PT100 or PT1000 : see "Tolerances" table
Sensor type	PT100 or PT1000 : class B, class A, 1/3 DIN, as per DIN IEC751
Storage temperature.....	-20°C to +80°C
Probe.....	316 L stainless steel. 5/25 : Ø 5 mm and length 25 mm 6/30 : Ø 6 mm and length 30 mm 8/15 : Ø 8 mm and length 15 mm
Cable.....	output on glass silk cable, stainless steel armoured. 2, 3 or 4 conductors 0,22 mm ² . Temperature range: from -50 to +400°C
Bayonet.....	bayonet connection (2 pins) nickel brass, for Ø 10, 12 or 14 mm thread to screw on 200mm spring

* Performed in laboratory conditions, the above accuracies mentioned in this document will be guaranteed, provided that you use the calibration compensation data or identical calibration conditions.

Part numbers

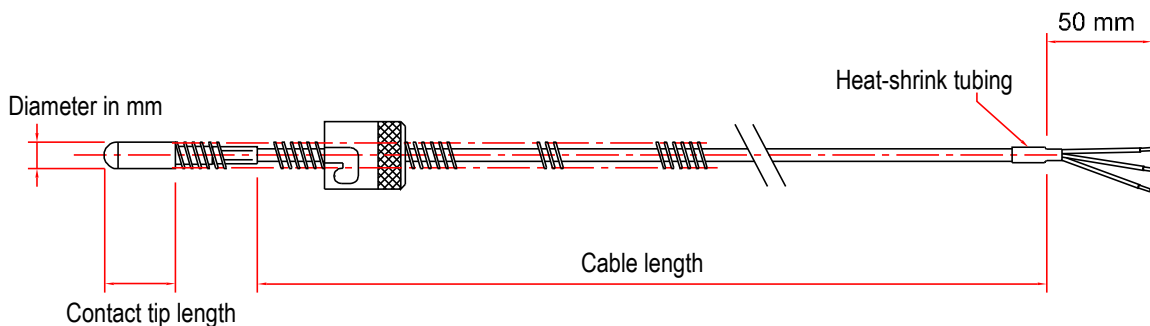


* Other dimension available on request

Example : SFBA51-B-2-SV-1-630-E12

Model: Pt 1000 bayonet temperature probe, Class B, 2-wire, silk glass cable 1m long.
Stainless steel probe Ø 6 mm and 30mm length.
Bayonet for 12mm thread.
Measuring range from **-50 to +400°C**.

Probe dimensions



Tolerances* of Pt100 and Pt1000 resistive probes

As per IEC 751 (1993), BS 1904 (1984) and DIN 43760 (1980) norms

Temp °C	Tolerances					
	Class B		Class A		1/3 DIN	
	± °C	± Ohms	± °C	± Ohms	± °C	± Ohms
-100	0,8	0,32	0,35	0,14	0,27	0,11
-50	0,55	0,22	0,25	0,1	0,19	0,08
0	0,3	0,12	0,15	0,06	0,1	0,04
100	0,8	0,3	0,35	0,13	0,27	0,1
200	1,3	0,48	0,55	0,2	0,44	0,16
300	1,8	0,64	0,75	0,27	0,6	0,21
400	2,3	0,79	0,95	0,33	0,77	0,26

Resistance values for Pt1000 (Ω) must be multiplied by 10 for the same corresponding temperature value (°C). For example: at 0°C for Class B Pt1000 ± 0,3°C → ± 1,2 Ω

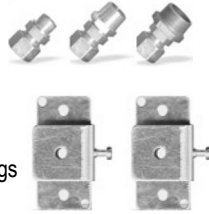
Tolerances* of NTC resistive probe

Temperature range in °C	Tolerances °C
From -20°C to 0°C	± 0,5°C
From 0°C to +70°C	± 0,2 °C
From +70°C to +100°C	± 0,5 °C

* Performed in laboratory conditions, the above accuracies mentioned in this document will be guaranteed, provided that you use the calibration compensation data or identical calibration conditions.

Accessories (see datasheet)

- 4-20 mA or 0/10V output transmitter
- Wall fixing support
- Stainless steel mounting brackets
- 1/4, 1/2 gas screw net
- Compression fitting
- Teflon or stainless steel ferrule for compression fittings



- Sleeve to weld for food industry (with 1/2" G female)
- Stainless steel union fitting
- 1/2 gas or NPT thread cut
- Thermo-conducting silicone grease
- Calibration certificate
- Thermowell



www.kimo.fr

EXPORT DEPARTMENT

Tel : + 33. 1. 60. 06. 69. 25 - Fax : + 33. 1. 60. 06. 69. 29

e-mail : export@kimo.fr



Distributed by :