

**Cable temperature probe at
angled resistive element with
or without fitting**

Type SFC 50

SFC 50 - SFCD 50 – SFCR 50 – SFCDR 50



■ **General features**

- Temperature probe mounted on conductive cables with angled stainless steel contact tip, with or without stainless steel fitting
- Measuring ranges (according to cable) :
from -50°C to +400°C (PT100 and PT1000).
from -20°C to +120°C (NTC).
- 2 wires output (SFC, SFCR) or
4 wires output (SFCD, SFCDR) for NTC and PT1000.
- 3-4 wires output (SFC, SFCR) or
6 wires output (SFCD, SFCDR) for PT100.
- For other resistance types (PT25, PT50, PT500, PT200 or NI), please contact us.

■ **Technical features**

Operating temperature	from -50°C to +400°C (PT100 and PT1000)
(according to cable)	from -20°C to +120°C (NTC)
Accuracy *	PT100 or PT1000 : see "Tolerances" table NTC : see "Tolerances" table
Sensor type	PT100 or PT1000 : class B, class A, 1/3 DIN, as per DIN IEC751 NTC : resistance at 25°C, R ₂₅ = 10KΩ Nominal Beta value B25/85 = 3,695K ±1%
Storage temperature	-20°C to +80°C
Operating temperature of cable	PVC : from -40°C to +120°C (Shielded on request) Silicone : from -50°C to +180°C Teflon (PFA) : from -50°C to +260°C (Shielded on request) Silk glass with stainless steel braid : from -50°C to +400°C
Probe and connection	316 L stainless steel Bent at 90° (other on request) Watertight crimping with heat-shrink tubing (except for silk glass with standard mounting on stainless steel duct) Curve spring available as option
Connection thread	½" or ¼" gas
Connection mounting	On L2 length (see drawing) : 12 or 14 corresponding to ½" G and ¼" G connections On L1 length (see drawing) : 12L1 or 14L1 corresponding to ½" G and ¼" G connections

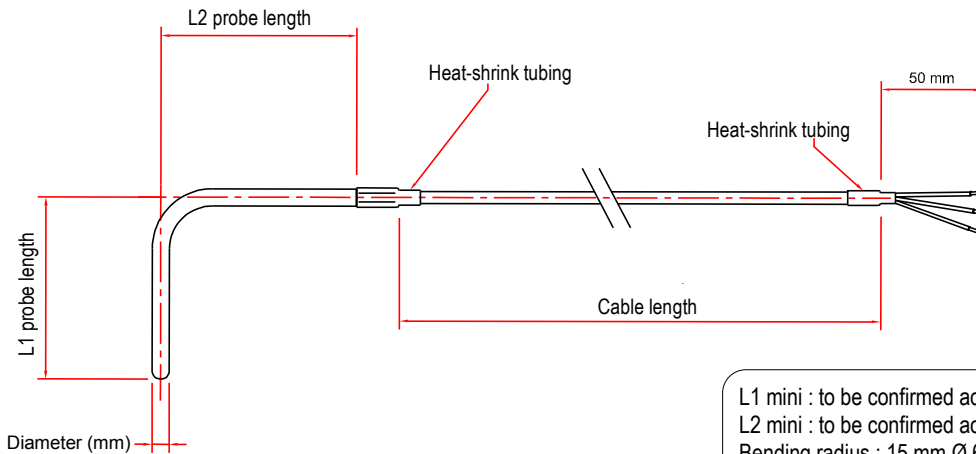
⚠ For Ø 4mm, the 4 wires mounting is not available

SFC 50 & SFCD 50

Angled cable probe
in simple pair or multipair mounting



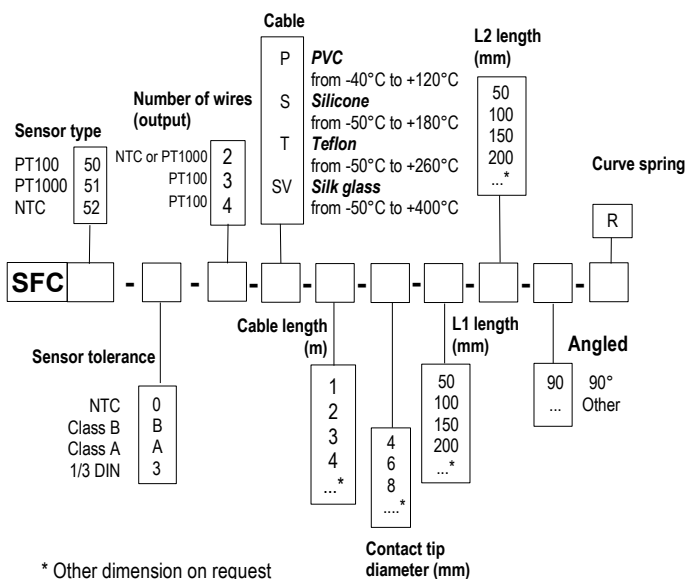
■ Dimensions



L1 mini : to be confirmed according to Ø
L2 mini : to be confirmed according to Ø
Bending radius : 15 mm Ø 6 mm
24 mm Ø 8 and 10 mm

■ Part numbers

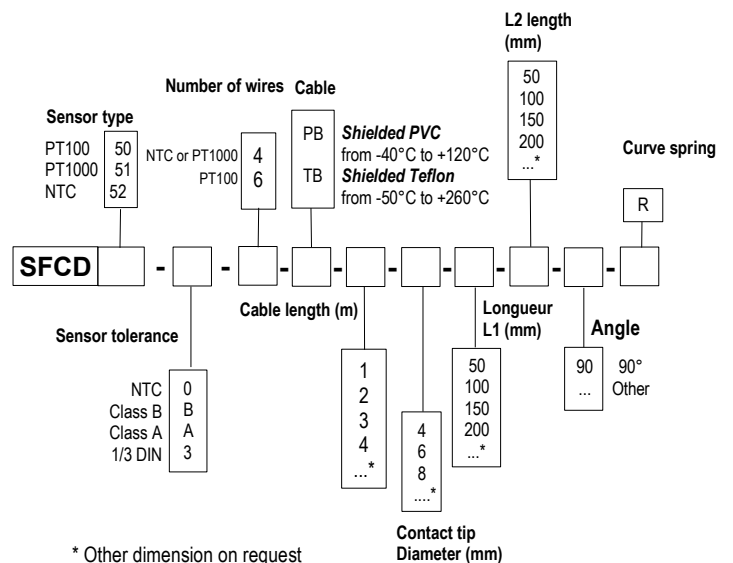
• SFC 50 – Single pair probe



Example : SFC-51-B-2-P-1-4-100-100-90-R

Model : PT1000 temperature probe class B, 2 wires, PVC cable of 1m length. Stainless steel contact tip Ø 4 mm angled at 90° and L1 and L2 lengths of 100 mm, with curve spring. Measuring range from -40 to +120°C.

• SFCD 50 – Multipair probe -

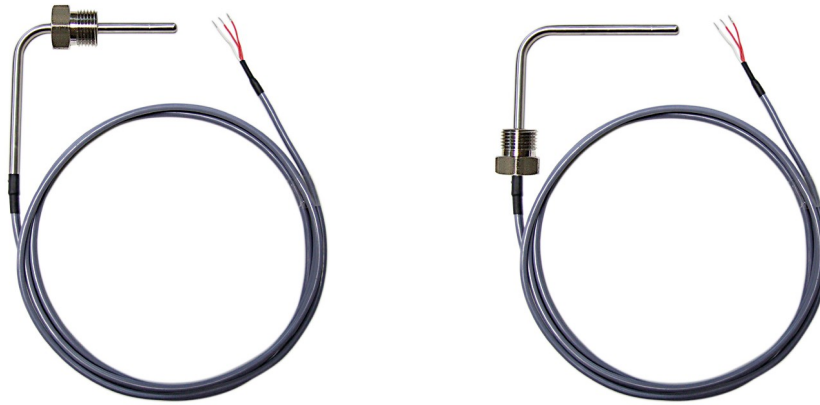


Example : SFCD-51-B-4-PB-1-6-100-100-90-R

Model : PT1000 temperature probe class B, 4 wires, shielded PVC cable of 1m length. Stainless steel contact tip Ø 6 mm angled at 90° and L1 and L2 lengths of 100 mm, with curve spring. Measuring range from -40 to +120°C.

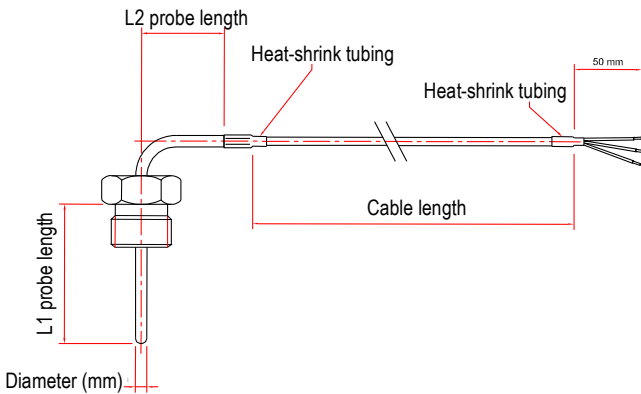
SFCR 50 & SFCRD 50

Angled cable probe with fitting
in simple pair or multipair mounting

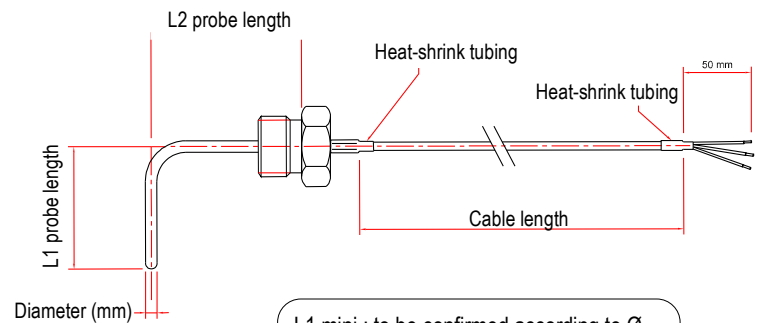


■ Dimensions

• With fitting on L1



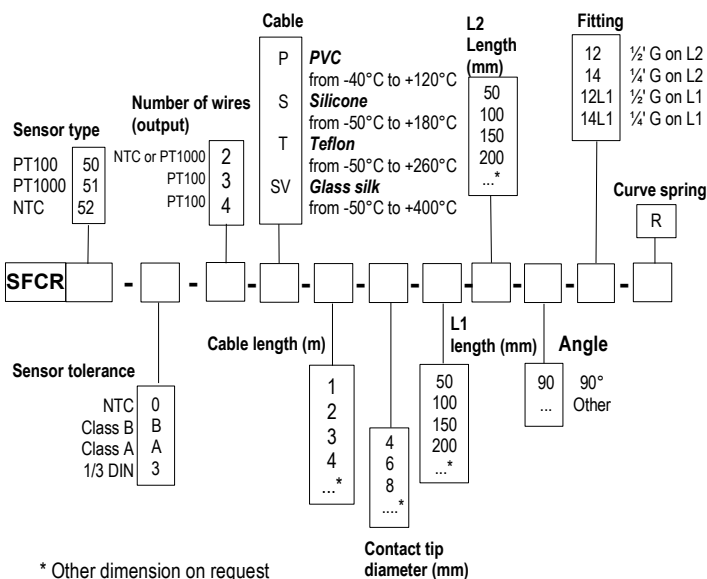
• With fitting on L2



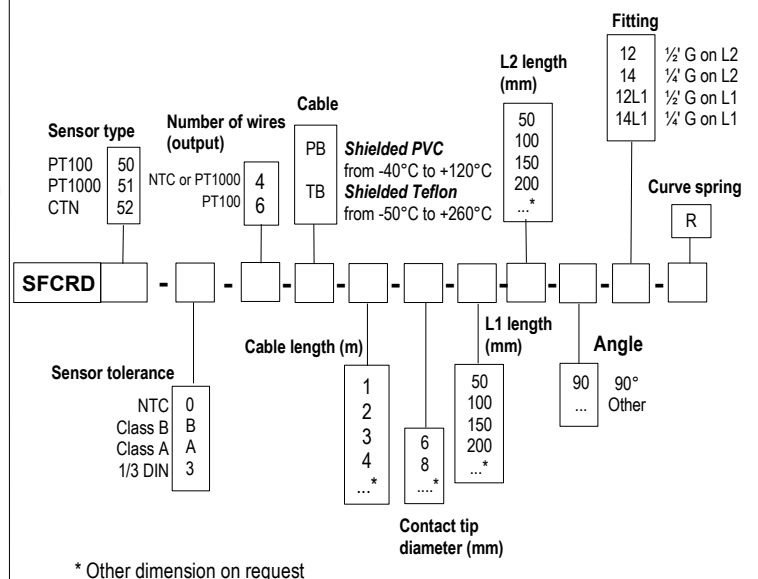
L1 mini : to be confirmed according to Ø
L2 mini : to be confirmed according to Ø
Bending radius : 15 mm Ø 6 mm
24 mm Ø 8 et 10 mm

■ Part numbers

• SFCR 50 - Single pair probe -



• SFCRD 50 - Multipair probe -



Example : SFCR51-B-2-P-1-4-100-100-90-12-R

Model : PT1000 temperature probe class B, 2 wires, PVC cable of 1m length. Stainless steel contact tip Ø 4 mm angled at 90° and L1 and L2 lengths of 100 mm, with thread fitting ½" G fixed on L2, and with curve spring. **Measuring range from -40 to +120°C.**

Example : SFCRD51-B-4-PB-1-6-100-100-90-12-R

Model : PT1000 temperature probe class B, 4 wires, shielded PVC cable of 1m length. Stainless steel contact tip Ø 6 mm angled at 90° and L1 and L2 lengths of 100 mm, with thread fitting ½" G fixed on L2, and with curve spring. **Measuring range from -40 to +120°C.**

Tolerances* of Pt100 and Pt1000 probes

As per IEC 751 (1993), BS 1904 (1984) and DIN 43760 (1980) norms

Temp °C	Tolerances					
	Class B		Class A		1/3 DIN	
	± °C	± Ohms	± °C	± Ohms	± °C	± Ohms
-100	0,8	0,32	0,35	0,14	0,27	0,11
-50	0,55	0,22	0,25	0,1	0,19	0,08
0	0,3	0,12	0,15	0,06	0,1	0,04
100	0,8	0,3	0,35	0,13	0,27	0,1
200	1,3	0,48	0,55	0,2	0,44	0,16
300	1,8	0,64	0,75	0,27	0,6	0,21
400	2,3	0,79	0,95	0,33	0,77	0,26

Resistance values for Pt1000 (Ω) must be multiplied by 10 for the same corresponding temperature value (°C). For example: at 0°C for Class B Pt1000 ± 0,3°C → ± 1,2 Ω

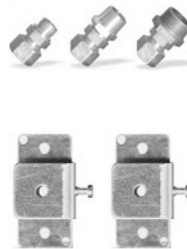
Tolerances* of NTC probes

Measuring range °C	Tolerances °C
From -20°C to 0°C	± 0,5°C
From 0°C to +70°C	± 0,2 °C
From +70°C to +100°C	± 0,5 °C

* Performed in laboratory conditions, the above accuracies mentioned in this document will be guaranteed, provided that you use the calibration compensation data or identical calibration conditions.

Accessories (see related data sheet)

- Transmitter output 4-20 mA or 0/10V
- Wall mounting support
- Stainless steel mounting brackets
- 1/4, 1/2 gas screw nut
- Sliding connection
- Teflon or stainless steel ferrule for compression fitting
- Sleeve to weld for food industry (with 1/2" G female)
- Stainless steel junction fitting
- 1/2 gas or NPT thread cuff
- Thermo-conducting silicone grease
- Calibration certificate
- Thermowell



www.kimo.fr

EXPORT DEPARTMENT

Tel : + 33. 1. 60. 06. 69. 25 - Fax : + 33. 1. 60. 06. 69. 29

e-mail : export@kimo.fr



Distributed by :