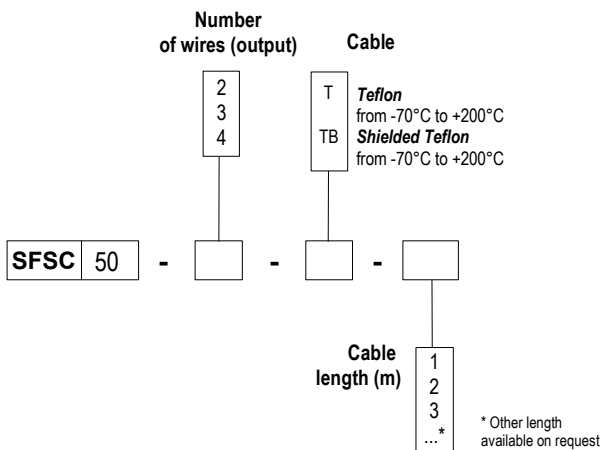


*Probe with self adhesive patch*

**SFSC 50**

- Probe with thin and flexible laminar resistance.
- Enables good response times.
- Measuring range : **from -70°C to +200°C**

■ **Part numbers**

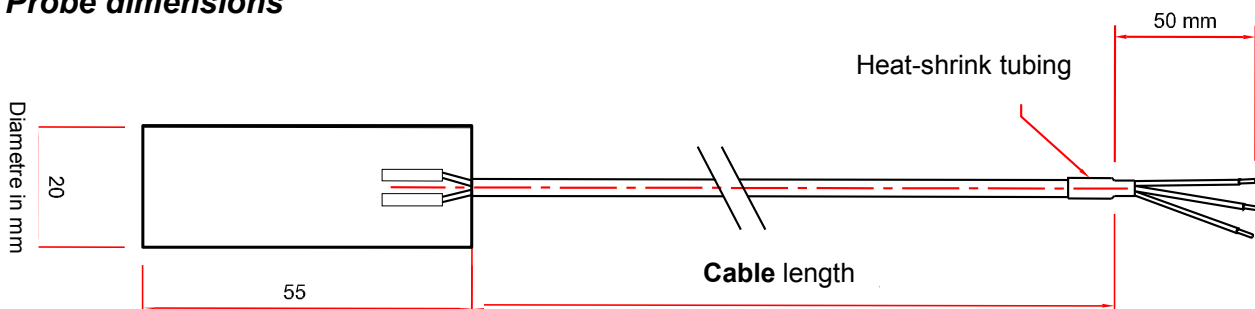


**Example : SFSC50-3-T-4**  
**Model :** Pt 100 temperature sensor, Class A, 3 wires, Teflon cable of 4 m length. **Measuring range from -70 to +200°C.**

■ **Transmitter features**

- Operating temperature**.....from -70°C to +200°C
- Accuracy \***.....± (0.15°C + 0.002 Itl)  
 thus ± 0.15°C at 0°C  
 and ± 0.35°C at 100°C
- Sensor type**.....PT100 Class A  
 Single pair  
 as per IEC751
- Dimensions**.....50 x 20 mm and 0.3 mm depth
- Insulation**.....polyimide
- Cable**.....T : Pfa 2 or 3 conductors  
 TB : Shielded Pfa 2, 3 or 4 conductors
- Storage temperature**.....from -20°C to +80°C

■ **Probe dimensions**



## Tolerance of PT100 and PT1000 probes.

Norms as per IEC 751 (1993), BS 1904 (1984) and DIN 43760 (1980).

Temp °C	Tolerances					
	Class B		Class A		1/3 DIN	
	± °C	± Ohms	± °C	± Ohms	± °C	± Ohms
-100	0,8	0,32	0,35	0,14	0,27	0,11
-50	0,55	0,22	0,25	0,1	0,19	0,08
0	0,3	0,12	0,15	0,06	0,1	0,04
100	0,8	0,3	0,35	0,13	0,27	0,1
200	1,3	0,48	0,55	0,2	0,44	0,16
300	1,8	0,64	0,75	0,27	0,6	0,21
400	2,3	0,79	0,95	0,33	0,77	0,26

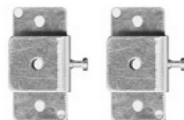
Resistance values for PT1000 (Ω) must be multiplied by 10 for the same corresponding temperature value (°C). I.e : at 0°C for Class B PT1000 ± 0.3°C → ± 1.2 Ω

## Tolerances of NTC probes

Measuring range °C	Tolerances °C
from -20°C to 0°C	± 0.5°C
from 0°C to +70°C	± 0.2 °C
from +70°C to +100°C	± 0.5 °C

## Accessories (see data sheet)

- Transmitter output 4/20 mA or 0/10V
- Wall mounting support
- Stainless steel mounting brackets
- ¼" or ½" Gas screw nut
- Stainless steel compression fitting
- Teflon or stainless steel ferrule for compression fittings



- Sleeve to weld for food industry
- Stainless steel junction fitting
- ½" Gas or NPT thread cuff
- Thermo-conducting silicone grease
- Calibration certificate
- Thermowell



### Colle silicone transparente

For watertightness and sticking.  
Ready to use. Moisture cured.  
Flexible at high and low temperature.  
UV and time resistant.  
Tube of 90 ml.

- Part number : KI - TCS



[www.kimo.fr](http://www.kimo.fr)

Distributed by :

EXPORT DEPARTMENT

Tel : + 33. 1. 60. 06. 69. 25 - Fax : + 33. 1. 60. 06. 69. 29

e-mail : [export@kimo.fr](mailto:export@kimo.fr)

