
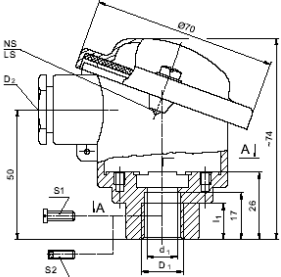

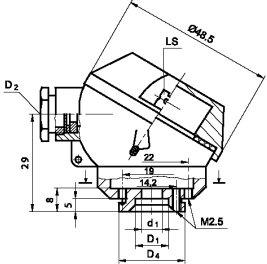

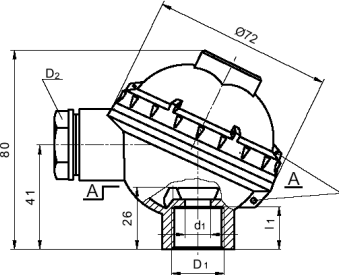

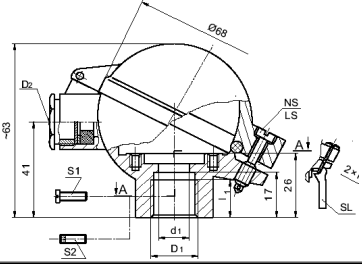

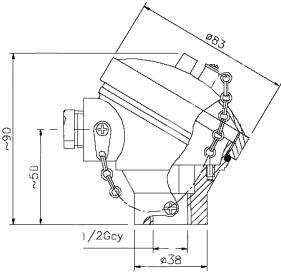


Connection head for probes with head

<p>■ Standard head (TB)</p> <p>Material.....aluminium alloy Pitch for connection terminal block.....33 mm Fitting.....½' G female Compression gland.....M20 x 1.5 Protection.....from IP 53 to 65 Operating temperature.....from -40 to +100°C*</p>		
<p>■ Miniature head (TM)</p> <p>Material.....aluminium alloy Pitch for connection terminal block.....19 mm Fitting.....M10/100 female Compression gland.....M16 x 1.5 Protection.....from IP 53 to 65 Operating temperature.....from -40 to +100°C*</p>		
<p>■ Plastic head (TP)</p> <p>Material.....phenyl polyoxyde (PPO Noryl) Pitch for connection terminal block.....33 mm Compression gland.....M20 x 1.5 Protection.....from IP 53 to 65 Operating temperature.....from -40 to +130°C*</p>		
<p>■ Waterproof head (TE)</p> <p>Material.....aluminium alloy Pitch for connection terminal block.....33 mm Fitting.....½' G female Compression gland.....M20 x 1.5 Protection.....IP 68 Operating temperature.....from -40 to +100°C*</p>		
<p>■ Stainless steel (TI)</p> <p>Material.....stainless steel 316 L Pitch for connection terminal block.....33 mm Fitting.....½' G female Compression gland.....M20 x 1.5 Protection.....IP 68 Operating temperature.....from -40 to +100°C*</p>		

*Optional on request : operating temperature from -40 to +150°C

