

*Temperature sensor
with head for contact duct*

**TBCT K / TBCTD K
TMCT K / TMCTD K**



Supplied with securing band for DN 100 duct

■ **General features**

- Thermocouple types T, J, K and N.
- Measuring range **from -40°C to +400°C**
- Mounting with base for all diameter pipes.

■ **Technical features**

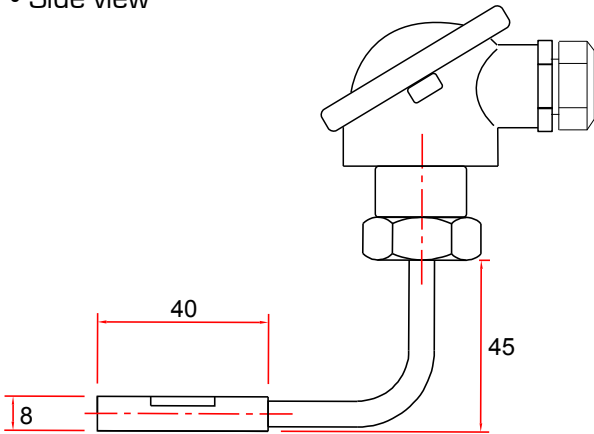
Working temperature	from -40°C to +350°C for Tc T from -40°C to +400°C for J, K et N
Accuracy	See "Tolerances" table
Mounting of welding	Insulated or to earth hot welding Single pair or 2x2 wires multipair mounting
Duct base	40 x 16 x 8,5 mm V-section Fixing by needle screw AU4G material (aluminium)
Fitting	supplied with a stainless steel collar for DN 100 Other collar on request
Electrical connection	with or without terminal block transmitter 4/20 mA as option
Connection head	Aluminium alloy Cable gland : M20 x 1,5 IP protection
Height of clearance	45 mm
Storage temperature	from -20°C to +80°C

TBCT K & TBCTD K

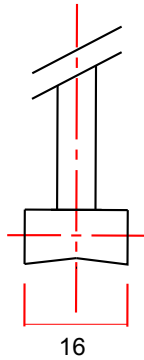
Temperature sensor with **standard** head and contact for pipes

■ Dimensions

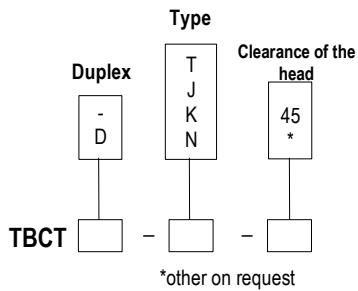
- Side view



- Front view



■ Part numbers



Example : TBCTD-T-45

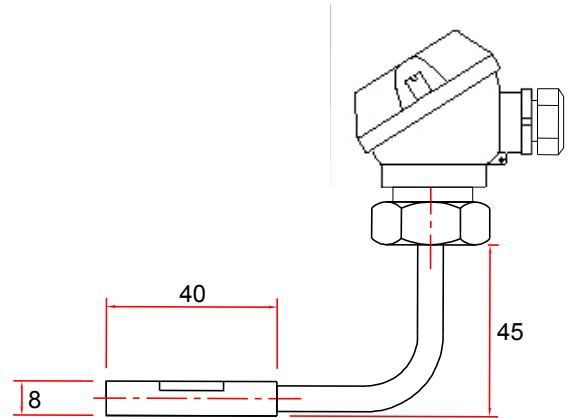
Model : Thermocouple sensor type T, clearance of the head at 45°. Mounting of wires in multipair.

TMCT K & TMCTD K

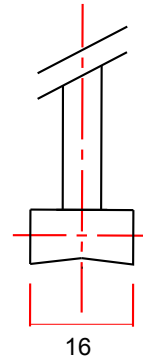
Temperature sensor with **miniature** head and contact for pipes

■ Dimensions

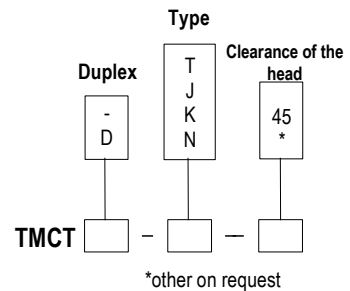
- Side view



- Front view



■ Part numbers



Example : TMCT-T-45

Model : Thermocouple sensor type T, clearance of the head at 45°.

■ Tolerances

TC	MEASURING RANGE CLASS 1	TOLERANCE
T	From -40°C to +350°C	From -40°C to +125°C $\pm 0.5^\circ\text{C}$ From 125°C to +350°C $\pm 0.004 \times T^\circ\text{abs}$
J	From -40°C to +750°C	From -40°C to +375°C $\pm 1.5^\circ\text{C}$ From 375°C to 750°C $\pm 0.004 \times T^\circ\text{abs}$
K	From -40°C to +1000°C	From -40°C to +375°C $\pm 1.5^\circ\text{C}$ From 375°C to 1000°C $\pm 0.004 \times T^\circ\text{abs}$
N	From -40°C to +1000°C	From -40°C to +375°C $\pm 1.5^\circ\text{C}$ From 375°C to 1000°C $\pm 0.004 \times T^\circ\text{abs}$

■ Most common thermocouple types

THERMOCOUPLE TYPE	+ CONDUCTOR	- CONDUCTOR	COLOR OF COMPENSATING CABLE
K	Nickel-Chrome 10%	Nickel-Aluminium 5% -Silicium	Ext. color + = GREEN, - = WHITE
T	Copper	Copper-Nickel	Ext. color + = BROWN, - = WHITE
J	Iron	Copper-Nickel	Ext. color + = BLACK, - = WHITE
N	Nickel 84,4% Chromium 14,2% Silicium 1,4%	Nickel 95,6% Silicium 4,4%	Ext. color + = PINK, - = WHITE
R	Platinum-Rhodium 13%	Platinum	Ext. color + = ORANGE, - = WHITE
S	Platinum-Rhodium 10%	Platinum	Ext. color + = ORANGE, - = WHITE
B	Platinum-Rhodium 30%	Platinum-Rhodium 6%	Ext. color + = GREY, - = WHITE

■ Accessories (See data sheet)

- Extension cable
- Compensating cable
- Standard or miniature connector
- Cable seal for plug and socket connector
- Miniature or standard fixed connector
- Miniature or standard connectors panel
- Extension lead
- Converters

www.kimo.fr

EXPORT DEPARTMENT

Tel : + 33. 1. 60. 06. 69. 25 - Fax : + 33. 1. 60. 06. 69. 29

e-mail : export@kimo.fr



Distributed by :